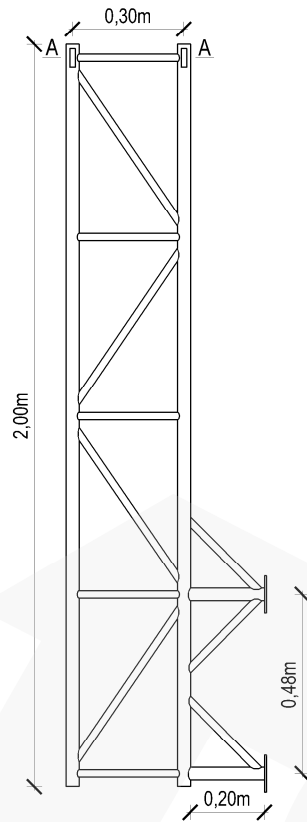




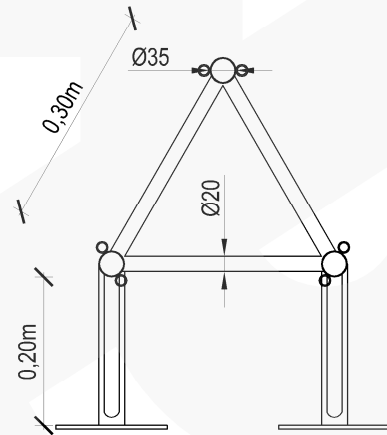
ASSEMBLY DRAWING

SCALE 1:20



SECTION A-A

SCALE 1:10



NOTES :

1. Construction of M300/H02 - side fastened
2. Aluminum alloy: EN AW-6005A T6
3. Connections: fillet welded with TIG (GTAW) argon method by the requirements of ISO 3834-2
4. Implementation class structure by the requirements of PN-EN-1090-3: EXC3
5. Characteristic wind speed: $V_k=22\text{m/s}$
6. Terrain category: II
7. Reliability class: II
8. Ice density: 700kg/m^3
9. Ice thickness: $2,0\text{cm}$
10. Equipment total weight limit on the mast: 40kg
11. Equipment area on the mast:
- $S=0,5\text{m}^2$ on the whole mast
12. Mast must be set under construction law
13. Construction, on which mast will be located, must be able to transfer reactions
14. Lead assembly with wind speed not more than 5m/s

Manufacturer: RETIS WWW.RETIS.PL WWW.MASZTY-RETIS.PL			
Investment: SERIES OF ALUMINUM LATTICE MASTS - TYPE - 300B			
Drawing title: MAST WITH SIDE FASTENED M300B/H02 - ASSEMBLY DRAWING			
Date: 04.2014	Phase: typical project	Project No.: RETIS M300B	Revision: ...
Industry: construction	Project No.: RETIS_KK_M300B_H02		