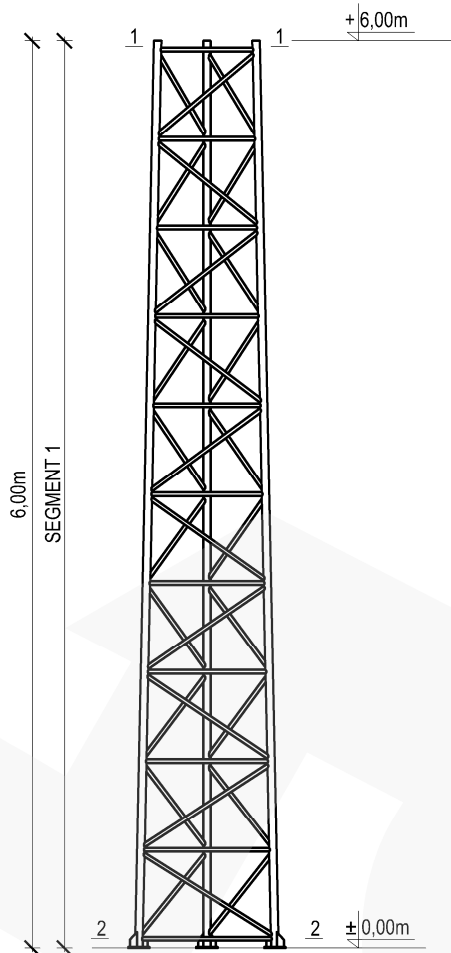




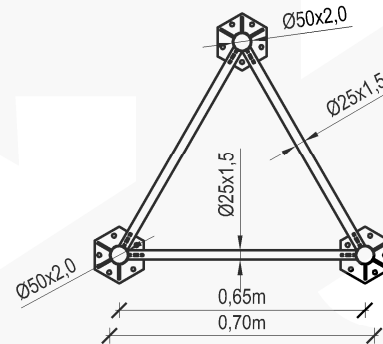
## ASSEMBLY DRAWING

SCALE 1:50



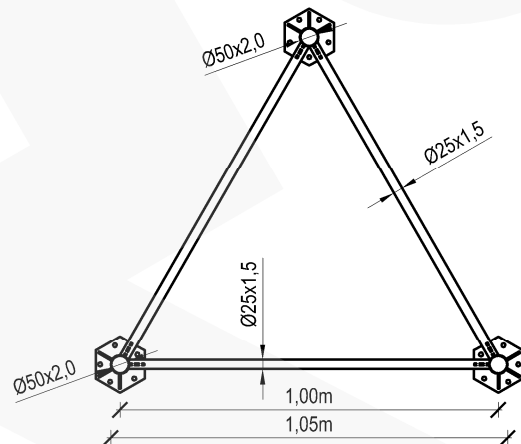
## SECTION 1-1

SCALE 1:20



## SECTION 2-2

SCALE 1:20



### NOTES :

1. Typical tower construction W650F/H6
2. Aluminum alloy: EN AW-6005A T6
3. Connections: fillet welded with TIG (GTAW) argon method by the requirements of ISO 3834-2
4. Characteristic wind speed:  $V_k=22\text{m/s}$
5. Terrain category: II
6. Reliability class: II
7. Ice density:  $700\text{kg/m}^3$
8. Ice thickness: 2,0cm
9. Equipment total weight limit on the tower: 150kg
10. Equipment area on the tower:  
-  $S=2,5\text{m}^2$  at the top of the tower
11. Tower weight: 32kg
12. Tower must be set under construction law
13. Construction on which tower will be located must be able to transfer reactions
14. Lead assembly with wind speed not more than 5m/s

<b>Manufacturer:</b>			
RETIS WWW.RETIS.PL WWW.MASZTY-RETIS.PL			
<b>Investment:</b>			
SERIES OF ALUMINUM LATTICE TOWERS - TYPE- 650F			
<b>Drawing title:</b>			
TYPICAL TOWER W650F/H6 - ASSEMBLY DRAWING + SECTIONS			
<b>Date:</b>	<b>Phase:</b>	<b>Project No.:</b>	<b>Revision:</b>
02.2013	typical project	RETIS W650F	...
<b>Industry:</b>	<b>Project No.:</b>		
construction	RETIS_KK_W650F_H6		