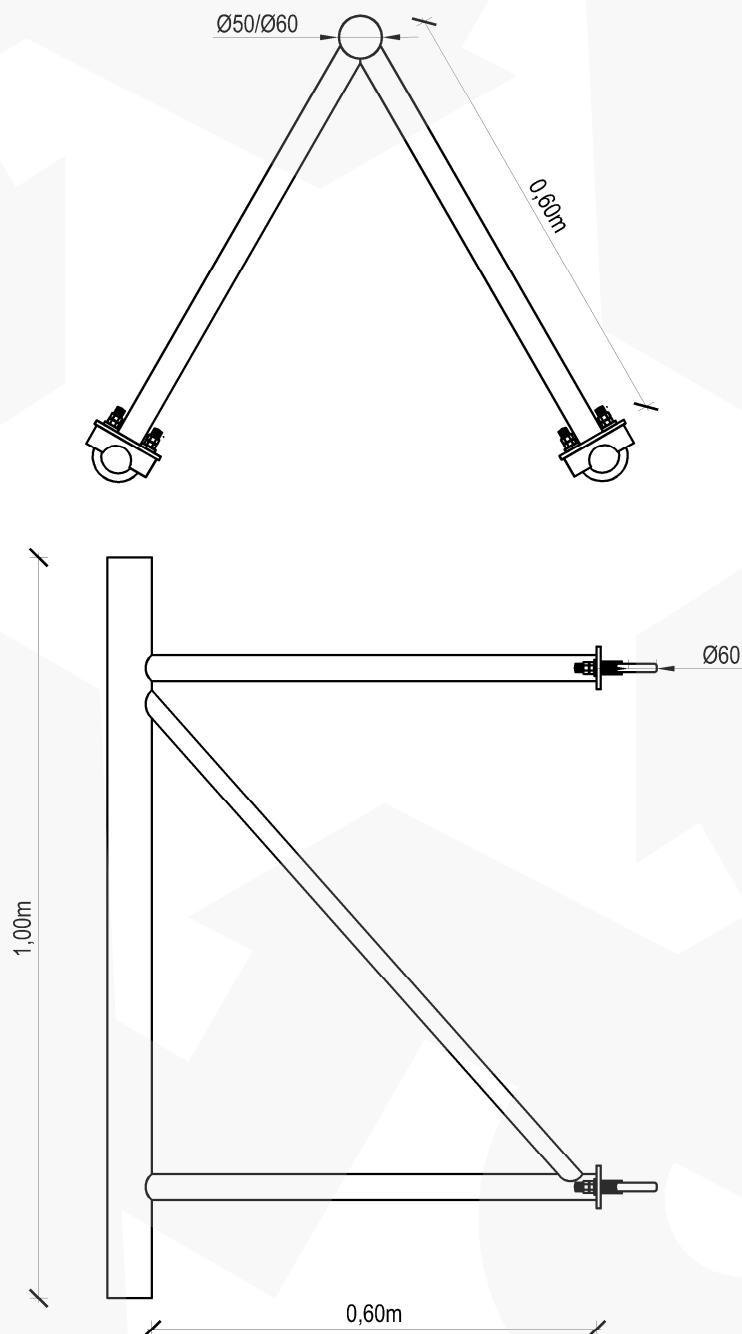




RETIS
CONSTRUCTION

RADIOLINK SUPPORT WR650F - H1,0 - FI50 / FI60

SCALE 1:10



NOTES:

1. Radiolink support WR650F - H1,0 - FI50 / FI60
2. Aluminum alloy: EN-AW 6005A T6
3. Connections: fillet welded by the requirements of ISO 3834-4
4. Mount to the mast shaft by U-bolt clamps

Manufacturer: RETIS WWW.RETIS.PL WWW.MASZTY-RETIS.PL			
Investment: SERIES OF ALUMINUM LATTICE MASTS - TYPE 650F			
Drawing title: RADIOLINK SUPPORT WR650F - H1,0 - FI50 / FI60			
Date: 02.2013	Phase: offer drawing	Project no.: RETIS W650F	Revision: ...
Industry: construction	Drawing no.: RETIS_KK_WR650F_H1_FI50 / FI60		