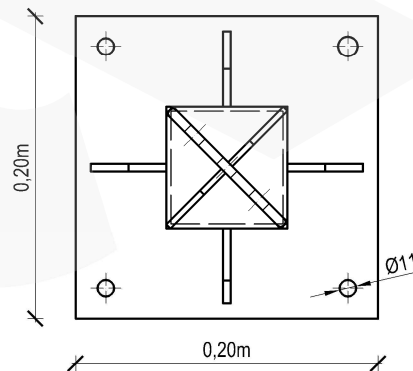
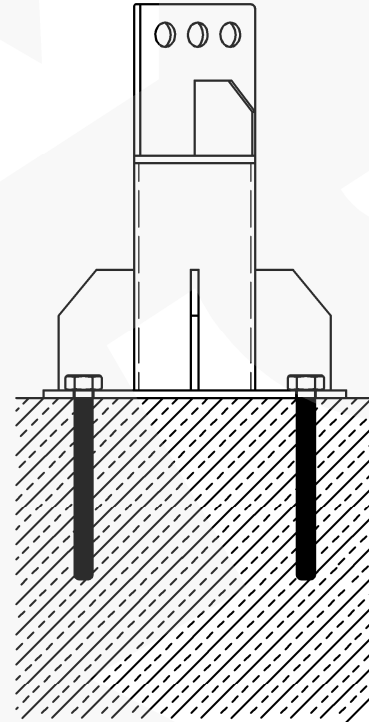
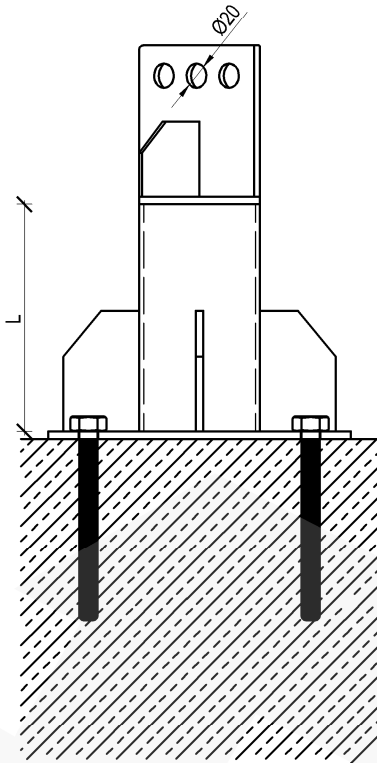




**RETIS**  
CONSTRUCTION

# ANCHORING SUPPORT WKPO4 FOR MAST GUY WIRES M435

SCALE 1:5



## NOTES :

1. Anchoring support WKPO4 for mast guy wires - mast M435
2. Steel: S235JR
3. Connections: fillet welded by the requirements of ISO 3834-4
4. Support height:  $L=0,15\text{m}$  or  $0,30\text{m}$
5. Profile: square pipe  $80\times 80\times 4$

<b>Manufacturer:</b> RETIS WWW.RETIS.PL WWW.MASZTY-RETIS.PL			
<b>Investment:</b> SERIES OF ALUMINUM LATTICE MASTS - TYPE 435			
<b>Drawing title:</b> ANCHORING SUPPORT WKPO4 FOR MAST GUY WIRES M435			
<b>Date:</b> 02.2013	<b>Phase:</b> offer drawing	<b>Project no.:</b> RETIS M435	<b>Revision:</b> ...
<b>Industry:</b> construction	<b>Drawing no.:</b> RETIS_KK_M435_WKPO4		