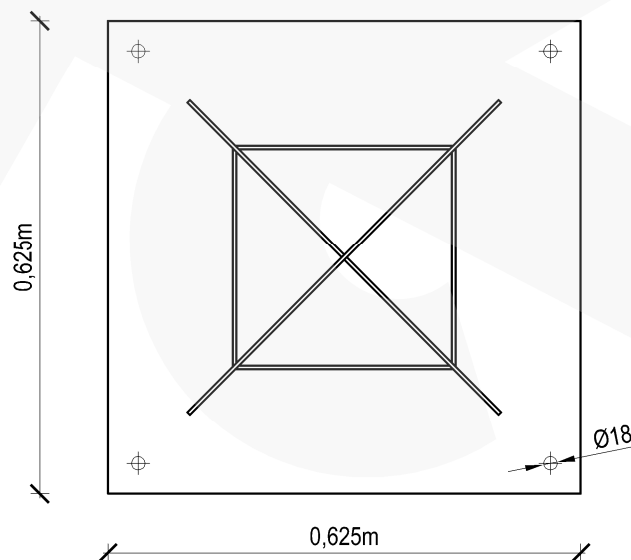
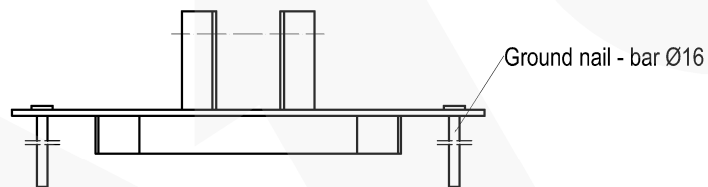
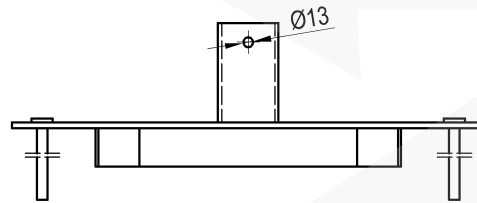




RETIS
CONSTRUCTION

STEEL BASE PLATE FOR THE MAST SHAFT M435

SCALE 1:10



NOTES :

1. Steel base plate for the mast shaft M435
2. Steel: S235JR
3. Connections: fillet welded by the requirements of ISO 3834-4

Manufacturer: RETIS WWW.RETIS.PL WWW.MASZTY-RETIS.PL			
Investment: SERIES OF ALUMINUM LATTICE MASTS - TYPE 435			
Drawing title: STEEL BASE PLATE FOR THE MAST SHAFT M435			
Date: 02.2013	Phase: offer drawing	Project no.: RETIS M435	Revision: ...
Industry: construction	Drawing no.: RETIS_KK_M435_SPP		