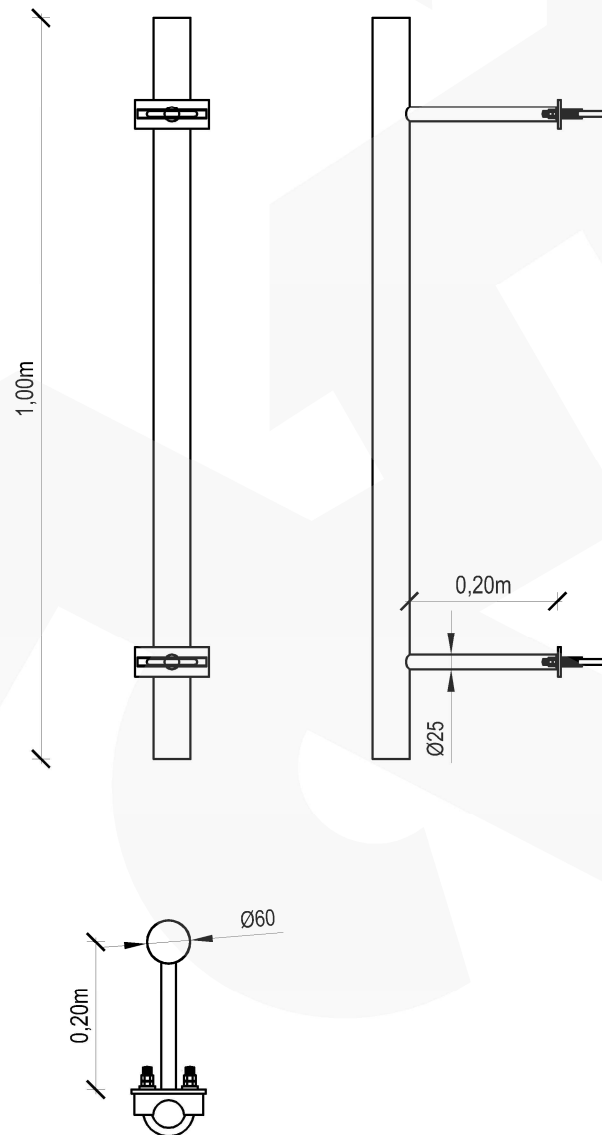




RETIS[®]
CONSTRUCTION

ANTENNA SUPPORT WA1000 - H1,0 - FI50/60

SCALE 1:10



NOTES :

1. Antenna support WA1000 - H1,0 - FI50/60
2. Aluminum alloy: EN-AW 6005 T6
3. Connections: fillet welded by the requirements of ISO 3834-4
4. Mount to the mast shaft by U-bolt clamps

Manufacturer: RETIS WWW.RETIS.PL WWW.MASZTY-RETIS.PL			
Investment: SERIES OF ALUMINUM LATTICE MASTS - TYPE 1000			
Drawing title: ANTENNA SUPPORT WA1000 - H1,0 - FI50/60			
Date: 02.2013	Phase: offer drawing	Project no.: RETIS M1000F	Revision: ...
Industry: construction	Drawing no.: RETIS_KK_WA1000_H1_FI50/60		