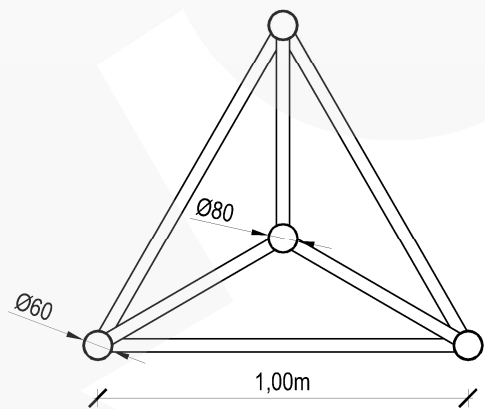


**VIEW A-A**



**NOTES :**

1. Mast finial M1000F
2. Aluminum alloy: EN-AW 6005 T6
3. Connections: fillet welded by the requirements of ISO 3834-4

|                                                                 |                                |                                            |                         |
|-----------------------------------------------------------------|--------------------------------|--------------------------------------------|-------------------------|
| <b>Manufacturer:</b> RETIS<br>WWW.RETIS.PL WWW.MASZTY-RETIS.PL  |                                |                                            |                         |
| <b>Investment:</b> SERIES OF ALUMINUM LATTICE MASTS - TYPE 1000 |                                |                                            |                         |
| <b>Drawing title:</b> MAST FINIAL M1000F                        |                                |                                            |                         |
| <b>Date:</b><br>02.2013                                         | <b>Phase:</b><br>offer drawing | <b>Project no.:</b><br>RETIS M1000F        | <b>Revision:</b><br>... |
| <b>Industry:</b><br>construction                                |                                | <b>Drawing no.:</b><br>RETIS_KK_M1000Z_H03 |                         |