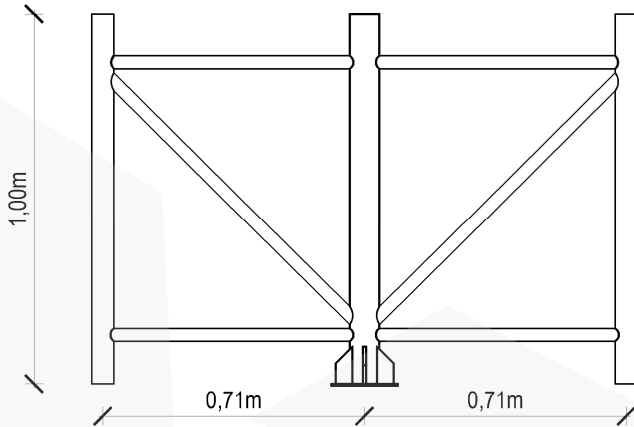
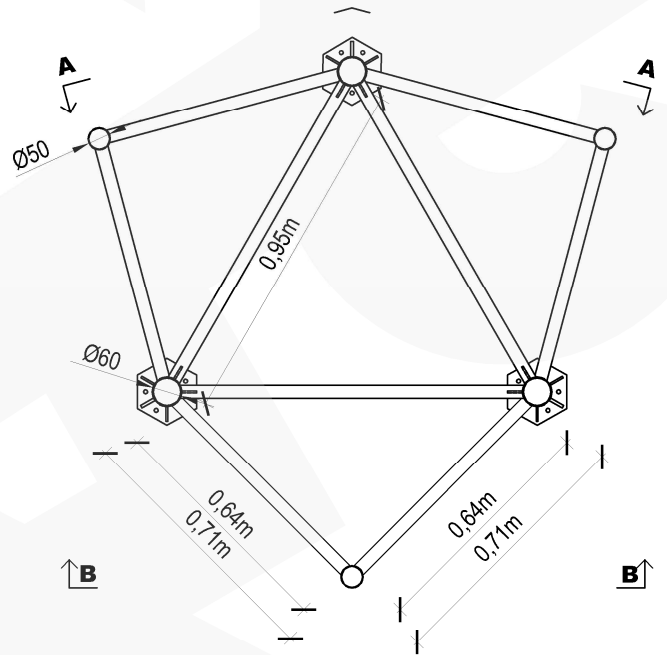
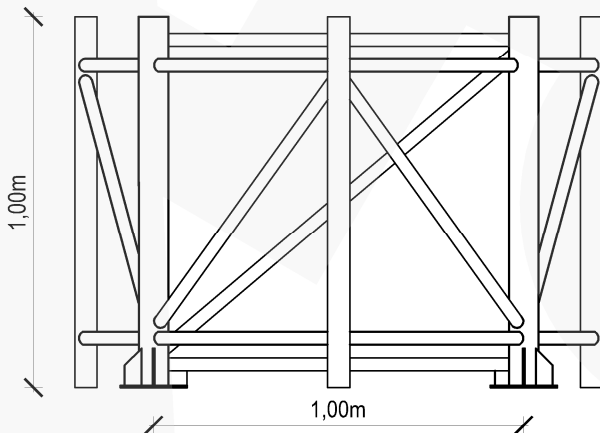




VIEW A-A



VIEW B-B



NOTES :

1. Separation crown M1000F
2. Aluminum alloy: EN-AW 6005 T6
3. Connections: fillet welded by the requirements of ISO 3834-4

Manufacturer: RETIS WWW.RETIS.PL WWW.MASZTY-RETIS.PL			
Investment: SERIES OF ALUMINUM LATTICE MASTS - TYPE 1000			
Drawing title: SEPARATION CROWN M1000F			
Date: 02.2013	Phase: offer drawing	Project no.: RETIS M1000F	Revision: ...
Industry: construction	Drawing no.: RETIS_KK_KS_M1000F		